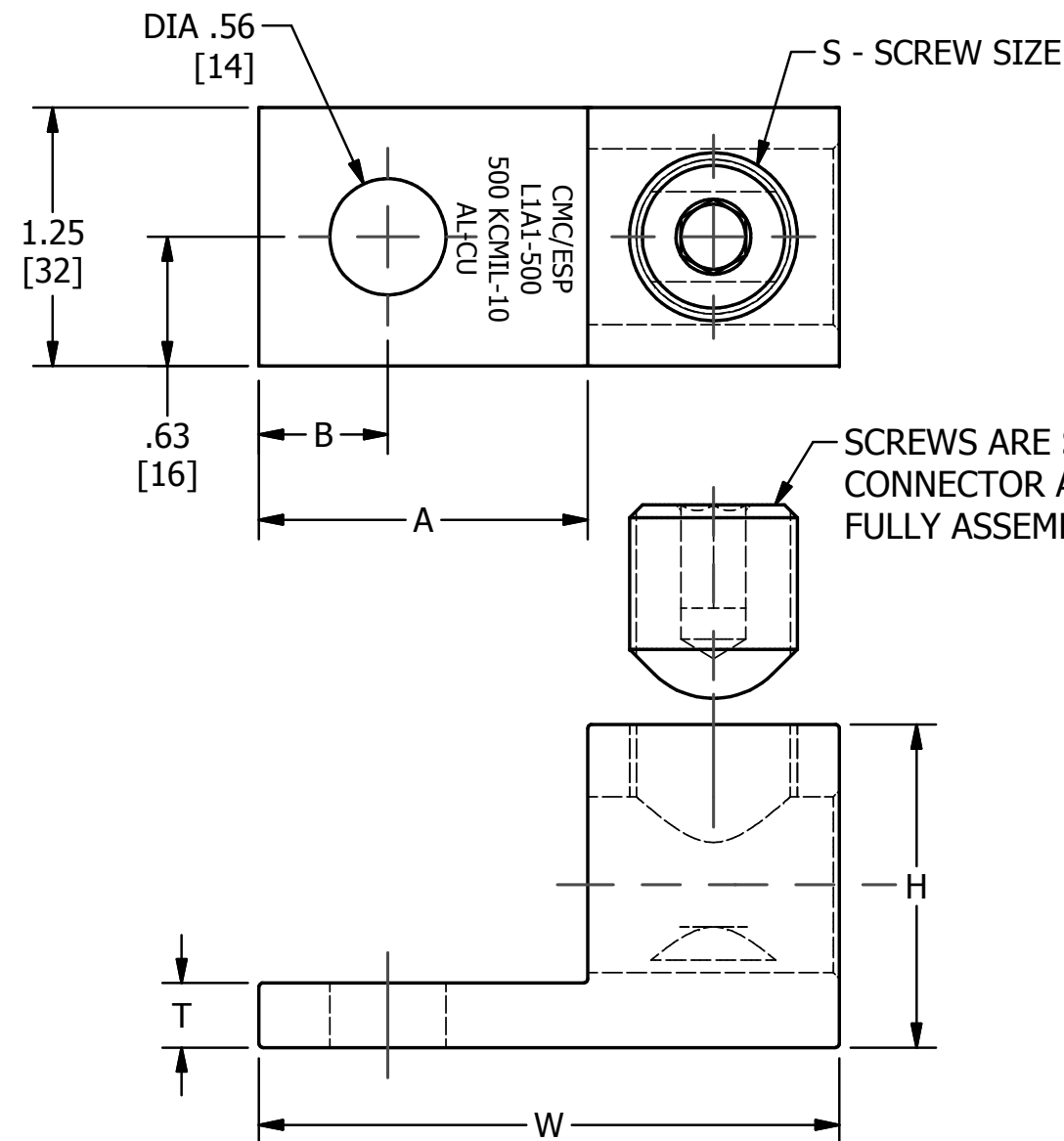
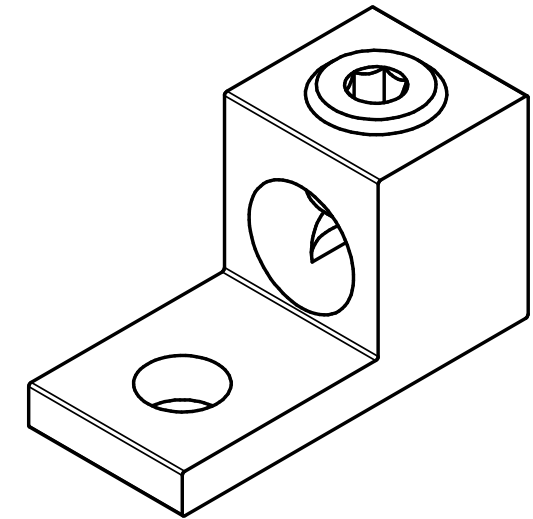


S.NO	CATALOG NUMBER	W	H	T	A	B	S	CONDUCTOR SIZE
1	L1A1-350	2.25 [57]	1.19 [30]	0.25 [6]	1.25 [32]	0.61 [15]	11/16-16	350 KCMIL TO 12
2	L1A1-350I	2.25 [57]	1.19 [30]	0.25 [6]	1.25 [32]	0.61 [15]	11/16-16	350 KCMIL TO 12
3	L1A1-500	2.81 [70]	1.56 [40]	0.31 [8]	1.59 [40]	0.63 [16]	13/16-16	500 KCMIL TO 10
4	L1A1-500I	2.81 [70]	1.56 [40]	0.31 [8]	1.59 [40]	0.63 [16]	13/16-16	500 KCMIL TO 10



FINISH: CLEAR PLATE
MATERIAL: ALUMINUM

DUAL-RATED (ALUMINUM OR
COPPER) CONDUCTORS

					TO ORDER CMC PRODUCTS CALL 1-513-860-4455	DRAWN BY: TS 09-18-19	NAME OF PART: TRANSFORMER CONNECTOR ASSEMBLY	CAT. NO.: SEE TABLE
					FOR PRODUCT INFO: http://www.cmclugs.com	CHECKED BY:	DWG NO: C58700674-S (CHARTED)	A
A	NEW DRAWING CREATED		09-18-19	TS		DRAWING NOT TO SCALE		SHEET NO: 1 OF 1
REV.	DESCRIPTION	ECN	DATE	INIT.				

